

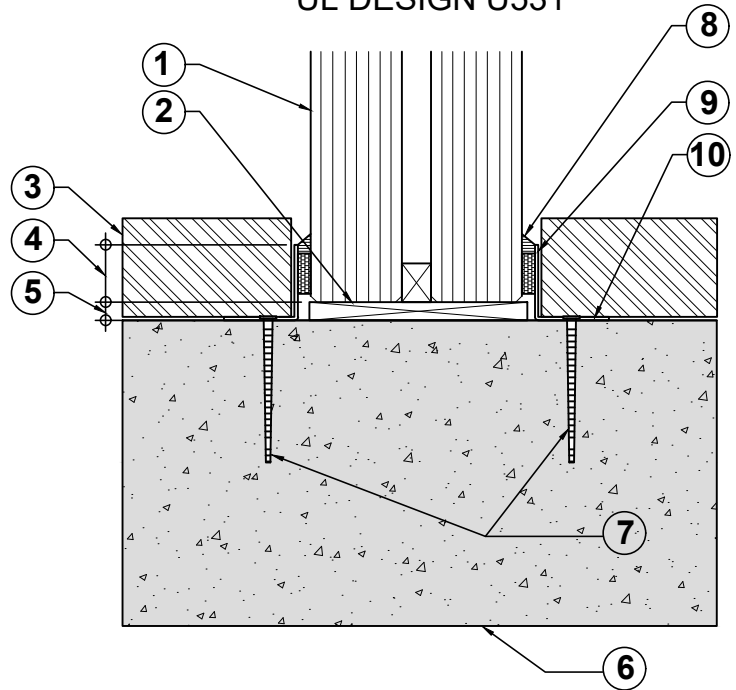
PYROSTOP L-ANGLE EXTERIOR GLAZING DETAIL

120 MINUTE MASONRY PERIMETER



UL DESIGN U531

- ① PYROSTOP GLAZING: 120 MINUTE - 2 7/16"(54mm)
* 2 7/16" PYROSTOP IGU FOR BULLET RESISTANT UL 3
- ② 2-1/8" X 4" X 1/4" HARDWOOD SETTING BLOCK
- ③ STEEL ANGLES CAN BE COVERED WITH WOOD, ALUMINUM OR OTHER TYPES OF NON-COMBUSTIBLE TRIM
- ④ BITE: 3/8" MINIMUM
*1" + FOR BULLET RESISTANT UL 3
- ⑤ EDGE CLEARANCE: 1/4" AT PERIMETER
- ⑥ 8" CMU WALL (SOLID FILLED CONCRETE MASONRY)
- ⑦ #12 X 2" PHILLIPS FLAT HEAD CONCRETE FASTENERS, 10"-12" ON CENTER
- ⑧ SILICONE SEALANT (CONTINUOUS)
- ⑨ 1/8"X3/8" CLOSED CELL PVC TAPE
- ⑩ .040"X5/8" MINIMUM X 5/8" MINIMUM CONTINUOUS STEEL ANGLE



*** FOR BULLET RESISTANT UL 752 LEVEL 3
RESISTS HANDGUN THREATS UP TO .44MAG**

- 2 7/16" THICK PYROSTOP IGU
- 1/4" THICK STEEL ANGLES PERIMETER
- 1" + MINIMUM BITE OVERLAP

1. FOR EXTERIOR USE IN SINGLE OPENINGS IN 120 MINUTE RATED MASONRY ASSEMBLIES.
* CONTACT RAY-BAR FOR INTERIOR PARTITION ASSEMBLY DESIGN.

2. MAX. EXPOSED AREA PER PIECE (Sq. In./Sq. Ft.)	MAX. WIDTH OF EXPOSED GLAZING PER PIECE (In)	OR	MAX. HEIGHT OF EXPOSED GLAZING PER PIECE (In)
3724 / 25.86	111"		111"

4. TESTED PER THE FOLLOWING STANDARDS: ASTM E-119 AND UL 263

Terms of Use: Certain designs and concepts are the exclusive proprietary property and work product of Ray-Bar Engineering provided in good faith as a courtesy for the architectural design of projects specifying, incorporating and utilizing genuine Ray-Bar products and assemblies. Ray-Bar designs are not to be copied, altered, plagiarized or utilized in any competitive or detrimental manner against Ray-Bar as protected by law and/or copyrights. "All Rights Reserved"

	JOB NAME:
	LOCATION:
	ROOM NUMBER:
	SHEET ____ OF ____:
120 MINUTE FIRE RATED WINDOW ASSEMBLY	

RAY-BAR ENGINEERING CORP.		SCALE NTS 120 MINUTE PYROSTOP U531
Toll Free: 1(800) 444-XRAY / 1(800) 444-9729		
Telephone: (626) 969-1818		
24 Hour Fax: 1(800) 333-XRAY / 1(800) 333-9729		
WWW.RAYBAR.COM		