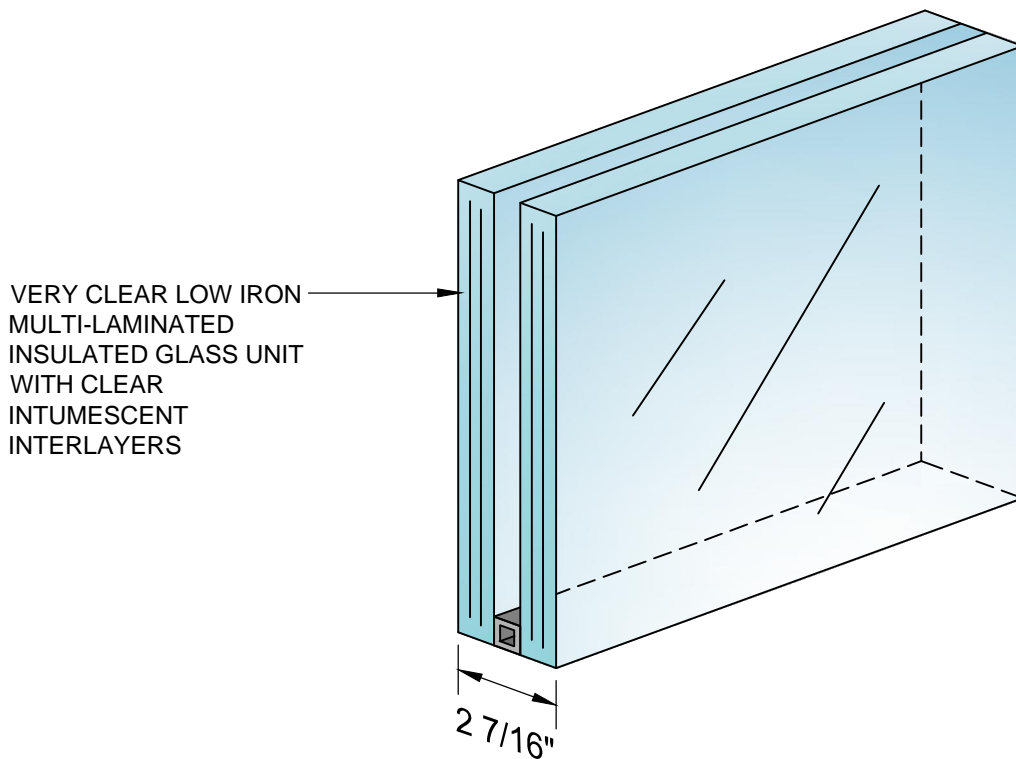


RAY-BAR ENGINEERING CORPORATION

FIRE RATED BULLET RESISTANT GLASS IGU



VERY CLEAR LOW IRON
MULTI-LAMINATED
INSULATED GLASS UNIT
WITH CLEAR
INTUMESCENT
INTERLAYERS



U.L. FILE R38725

2 7/16" THICK PILKINGTON PYROSTOP INSULATED GLASS UNIT

- FOR INTERIOR OR EXTERIOR APPLICATIONS
- **BULLET RESISTANT:** UL 752 LEVEL 3
RESISTS HANDGUN THREATS UP TO .44 MAG (3 SHOTS)
- **FIRE RATINGS:** DOORS: 60 MINUTE AND 90 MINUTE 41 5/8" W x 89 3/4" H / 3,724 SQ INCH MAX
WALLS: 60, 90 AND 120 MINUTES 60" MAX 1 WAY / 3,724 SQ INCH MAX
- **BARRIER TO:** FLAME, SMOKE, THERMAL HEAT TRANSFER
CONDUCTIVE HEAT AND RADIANT HEAT
PASSES REQUIRE HOSE STREAM TEST AND WITHSTANDS THERMAL SHOCK
- **IMPACT RESISTANT:** MEETS ANSI Z97.1 AND CPSC 16 CFR 1201 CAT II
- **STC RATING:** 46 db (ESTIMATED SOUND TRANSMISSION REDUCTION)
- **MEETS:** UL 9, UL 10B, UL 10C, UL 263, ASTM E-119, NFPA 80, NFPA 251, NFPA 252 AND NFPA 257

UL FILE NUMBER R38725 • UL DESIGN NUMBER U531

RAY-BAR ENGINEERING CORPORATION
WWW.RAYBAR.COM
LIFE AND SAFETY PRODUCTS



• RADIATION • FIRE • BALLISTIC • BLAST •

PH: (800) 444-9729 E-MAIL: SALES@RAYBAR.COM FAX (800) 333-9729

"WHEN PROTECTION IS REQUIRED, THERE IS NO SUBSTITUTE FOR SKILL AND EXPERIENCE"

© 2019 Ray-Bar Engineering Corporation. * Ray-Bar is a registered trademark of Ray-Bar Engineering Corp. * FireLite and FireLite Plus are registered trademarks of NEG Co, Ltd. * Pilkington Pyrostop is a registered trademark of Pilkington plc. * WireLite and Fireglass are registered trademarks of TGP. * For additional information and details please contact Ray-Bar