

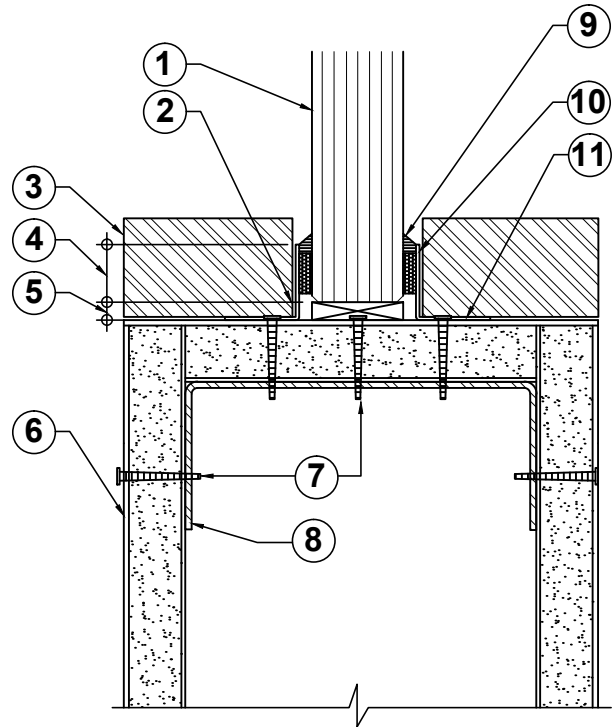
PYROSTOP[®] L-ANGLE INTERIOR GLAZING DETAIL

60 MINUTE PERIMETER



UL DESIGN U531

- ① PYROSTOP GLAZING: 60 MINUTE - 7/8" TO 1 5/8"
* NO GLAZING SUBSTITUTIONS PERMITTED
- ② 2-1/8" X 4" X 1/4" HARDWOOD SETTING BLOCK
- ③ STEEL ANGLES CAN BE COVERED WITH WOOD, ALUMINUM OTHER TYPES OF NON-COMBUSTIBLE TRIM
- ④ BITE: 3/8" MINIMUM
- ⑤ EDGE CLEARANCE: 1/4" AT PERIMETER
- ⑥ 5/8" TYPE 'X' GYPSUM BOARD (TWO LAYERS)
- ⑦ #12X2" PHILLIPS FLAT HEAD SCREW 10"-12" ON CENTER
- ⑧ 18 GAUGE X 3-1/2" MINIMUM STEEL RUNNER CONTINUOUS LENGTHS
- ⑨ SILICONE SEALANT (CONTINUOUS)
- ⑩ 1/8"X3/8" CLOSED CELL PVC TAPE
- ⑪ .040"X5/8" MINIMUM X 5/8" MINIMUM CONTINUOUS STEEL ANGLE



GENERAL INFORMATION

1. FOR INTERIOR USE IN SINGLE OPENINGS IN 60 MINUTE RATED WOOD/STEEL/GYPSUM BOARD OR MASONRY ASSEMBLIES.

2. MAX. EXPOSED AREA PER PIECE (Sq. In./Sq. Ft.) <hr style="width: 80%; margin: 0 auto;"/> 5,605 / 38.92	MAX. WIDTH OF EXPOSED GLAZING PER PIECE (In) <hr style="width: 80%; margin: 0 auto;"/> 95"	<u>OR</u>	MAX. HEIGHT OF EXPOSED GLAZING PER PIECE (In) <hr style="width: 80%; margin: 0 auto;"/> 95"
----------------------------------------------------------------------------------------------------------------	--------------------------------------------------------------------------------------------------	-----------	---------------------------------------------------------------------------------------------------

4. TESTED PER THE FOLLOWING STANDARDS: ASTM E-119 AND UL 263

Terms of Use: Certain designs and concepts are the exclusive proprietary property and work product of Ray-Bar Engineering provided in good faith as a courtesy for the architectural design of projects specifying, incorporating and utilizing genuine Ray-Bar products and assemblies. Ray-Bar designs are not to be copied, altered, plagiarized or utilized in any competitive or detrimental manner against Ray-Bar as protected by law and/or copyrights. "All Rights Reserved"

© 2019 Ray-Bar Engineering Corporation. * Ray-Bar is a registered trademark of Ray-Bar Engineering Corp. * FireLite and FireLite Plus are registered trademarks of NEG Co, Ltd. * Pilkington Pyrostop is a registered trademark of Pilkington plc. * WireLite and Fireglass are registered trademarks of TGP. * For additional information and details please contact Ray-Bar

	JOB NAME:
	LOCATION:
	ROOM NUMBER:
	SHEET ____ OF ____:
60 MINUTE FIRE RATED WINDOW ASSEMBLY	

RAY-BAR ENGINEERING CORP.		SCALE NTS 60 MINUTE PYROSTOP U531
Toll Free: 1(800) 444-XRAY / 1(800) 444-9729		
Telephone: (626) 969-1818		
24 Hour Fax: 1(800) 333-XRAY / 1(800) 333-9729		
WWW.RAYBAR.COM		